



Halgan Pty Ltd

Installation Requirements

Plaster Trap & Clay Plaster Trap

Design | Manufacture | Service

Sustainable Environmental Treatment Solutions

Call 1800 626 753

www.halgan.com.au

The Halgan Plaster Trap

Features

- Removable Filter Basket
- Removable Filter Screens
- Surge Flow Baffle
- 50mm BSP Inlet & Outlet Connections
- Removable Lid for Cleaning

Options

- We recommend our mobile caster stand, makes for easy movement when cleaning
- Design Profile is variable to suit your Special Application



Product

The Halgan Plaster Trap is used to trap plaster and other fine material in the waste water prior to discharging to the sewer system. The baffle arrangement is design to maximise the trapping of particles. The Halgan Plaster Trap is designed to be fit under benches, which will reduce installation costs and provide easy access for servicing. The Halgan Plaster Trap is manufactured from 316 grade stainless steel. Wall thickness is 1.6 mm.

Application

The Halgan Plaster Trap is used for treatment of waste water from dental surgeries, doctors surgeries, jewellers, technical colleges, schools, craft centres etc.

Sizing

For correct sizing refer to your local Liquid Trade Waste Department.

All Trade Waste customers require a Trade Waste Agreement or Consent prior to any discharge commencing.

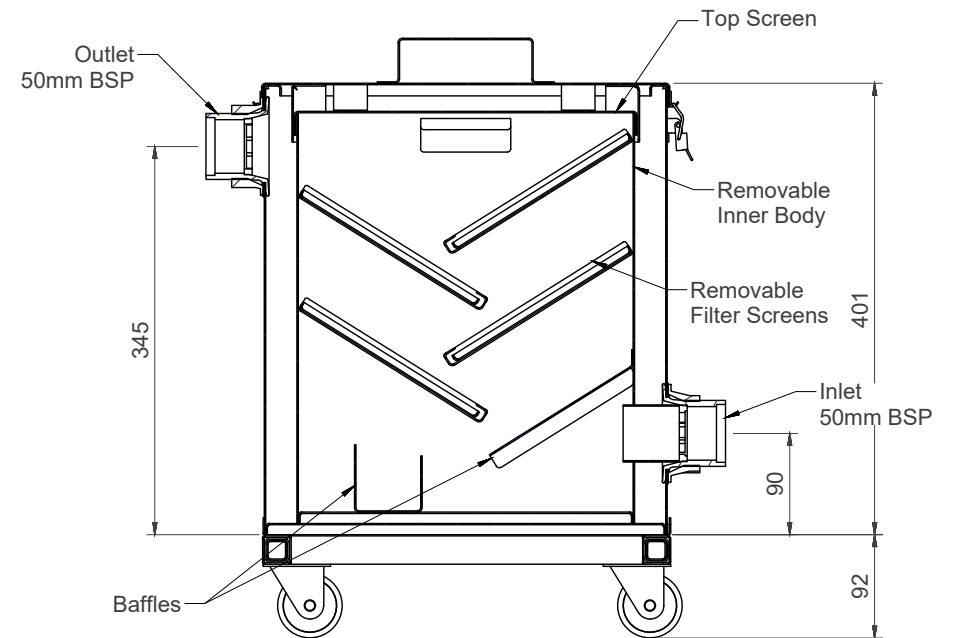
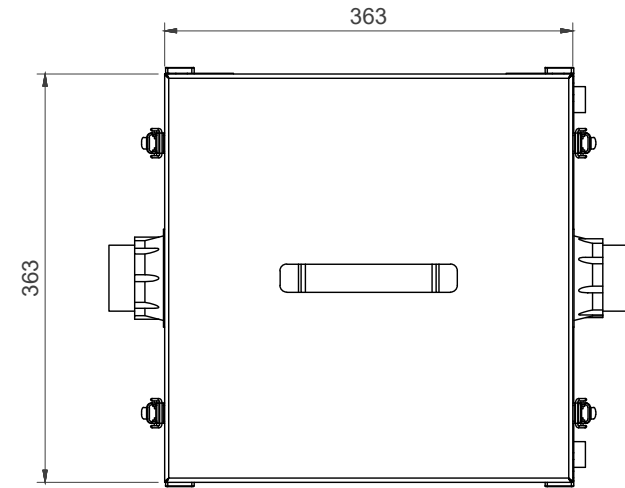
General

Locate the Plaster Trap in a position that provides a minimum of 250mm clearance from the Lid to the underside of any obstruction for removal of Lid and Inner Filter Basket.

Installation of a Union & Ball Valve either side of the Plaster Trap is recommended to make the maintenance & cleaning a simple and quick task.

Connect the 50mm Trap to the Sink Bowl Waste Outlet and the Ball Valve on the Inlet side of the PA1. Ensure the water level of the Trap is a minimum of 200mm above the water level of the Plaster Trap.

Test all connections for leaks before use.



Halgan Plaster Trap installation detail and user guide

Trap

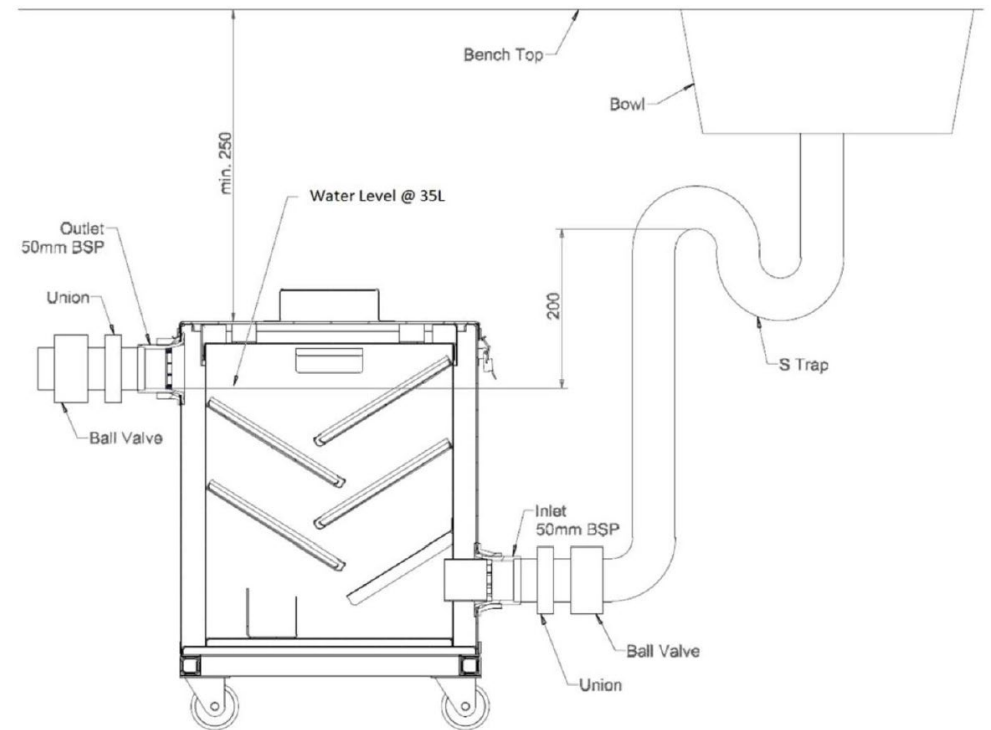
This Plaster Trap has been designed and approved by Water Board Authorities. When installed and maintained properly this unit will give many years of service and help protect our Environment.

The Plumber

- Locate the plaster trap in a position that provides a 450mm clearance from lid to underside of bench top for removal of lid and inner tank.
- Connect 50mm trap to sink bowl and ensure water level of trap is a minimum 200mm above water level of plaster trap.
- Test all connections for leaks.

The User

- Do not dispose of acids, chemicals or any other substance unsuitable for normal sink waste through this trap
- Do not dispose of large quantities of clay or plaster through this trap
- When washing down implements used with clay or plaster ensure enough water is used to clear the 'S' trap
- Maintenance will depend on usage - a trap used daily with high volumes of plaster will require more frequent cleaning.



Maintenance instructions

- Remove Lid from Clay / Plaster Trap
- Push inner tank away from inlet
- Remove inner tank from trap
- Remove screens from inner tank & clean
- If the Plaster Trap itself need cleaning, drain the tank before disconnecting, then remove the tank and clean as required.

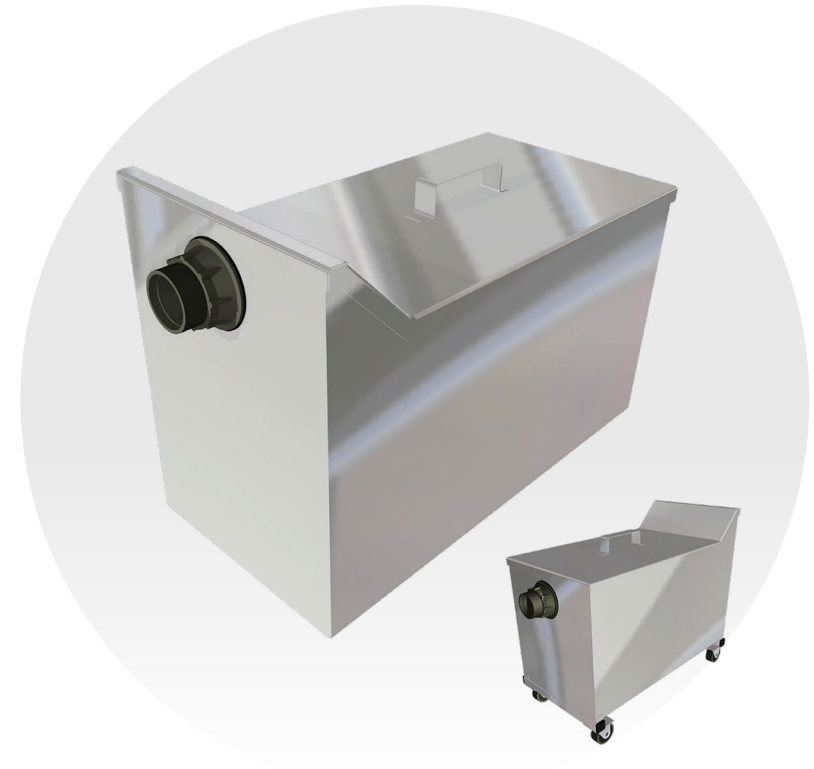
The Halgan Clay Plaster Trap

Features

- Removable Filter Basket
- Removable Filter Screens
- Surge Flow Baffle
- 50mm BSP Inlet & Outlet Connections
- Removable Lid for Cleaning

Options

- We recommend our mobile caster stand, makes for easy movement when cleaning
- Design profile is variable to suit your Special Application



Product

The Halgan Clay Plaster Trap is used to trap plaster and other fine material in the waste water prior to discharging to the sewer system. The removable basket has an arrangement of weirs and deflectors to maximise the trapping of particles. The Halgan Clay Plaster Trap is designed to be fit under benches, which will reduce installation costs and provide easy access for servicing. The HalganClay Plaster Trap is manufactured from 304 grade stainless steel. The basket material is stainless steel. Wall thickness is 1.6 mm.

Application

The Halgan Clay/Plaster Trap is used for treatment of waste water from dental surgeries, doctors surgeries, jewellers, technical colleges, schools, craft or a facilities that using clay and plaster.

Sizing

For correct sizing refer to your local Liquid Trade Waste Department.

All Trade Waste customers require a Trade Waste Agreement or Consent prior to any discharge commencing.

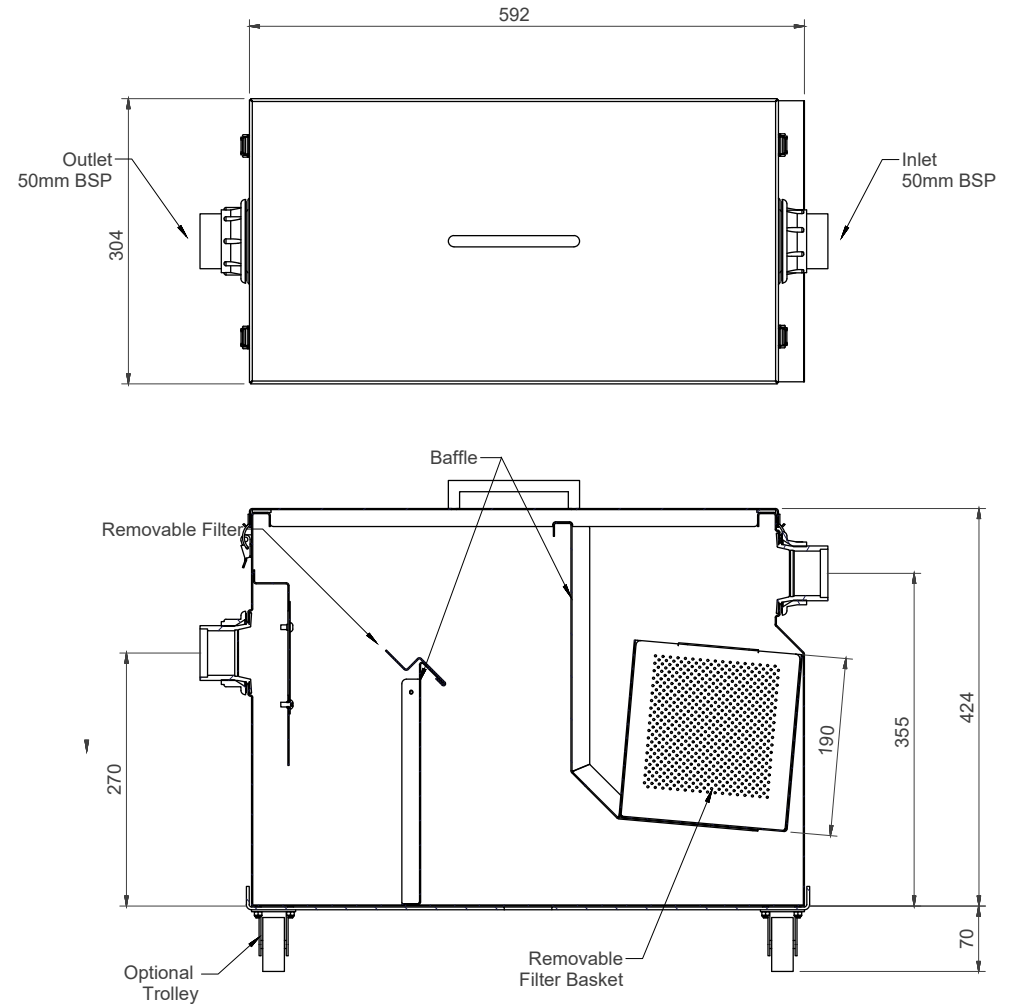
General

Locate the Clay Plaster Trap in a position that provides a minimum of 250mm clearance from the Lid to the underside of any obstruction for removal of Lid and Inner Filter Basket.

Installation of a Union & Ball Valve either side of the Plaster Trap is recommended to make the maintenance & cleaning a simple and quick task.

Connect the 50mm Trap to the Sink Bowl Waste Outlet and the Ball Valve on the Inlet side of the PA1. Ensure the water level of the Trap is a minimum of 200mm above the water level of the Clay Plaster Trap.

Test all connections for leaks before use.



Conditions of Warranty

Halgan Pty Ltd warrants that all Halgan products are free from defects. Any apparent fault will be rectified free of charge by Halgan Pty Ltd or by any of Halgan's authorised agents within appropriate time limits herein set out provided that:

- The customer has activated the Warranty by returning this form to Halgan.
- All costs of installation, cartage, freight, travelling expenses and insurance are paid by the claimant.
- Halgan Pty Ltd and its Authorised Dealers will not be liable for any consequential loss or damage whatsoever or howsoever arisen.
- The Product being precision equipment has not been misused, adjusted or serviced by any person other than a service dealer, authorised by Halgan Pty Ltd.
- The equipment has been installed correctly and is used in accordance with the Halgan Pty Ltd speci the product.
- Nothing in these Conditions of Warranty shall be deemed to restrict any warranty required to be given under the Trade Practices Act (Commonwealth) or any consumer legislation of any State of Australia.
- The customer can provide proof of purchase.

12 Month Warranty

Full warranty on mechanical and electrical components. Electronic circuitry issued with a letter of acceptance from Electrical Supply Authority.

7 Year Warranty

Full warranty on polyethylene and stainless steel tanks.

Warranty Exclusions

- Normal user adjustments or customers instruction on the Product's operation.
- Products purchas ed overseas / interstate - not designed or approved in the installed area.
- Normal user adjustments or customer instruction on the Product's operation.
- Abnormal product performance caused by any ancillary equipment, interference or other external factors.
- Cleaning of the product and filters
- Any mileage or travelling charges outside the Service Dealer's normal service area

Please complete this form and return by post to HALGAN PTY LTD, 10 Davis Road, Wetherill Park, NSW 2164 or save the PDF and email us at info@halgan.com.au

Business name

Halgan Grease Trap model number

Approximate date of purchase

Address

Email address

Customer name

Customer phone number

Plumber name & number (if known)



Halgan Pty Ltd

NSW

Wetherill Park:
10 Davis Road,
Wetherill Park
NSW 2164

P. +61 2 9939 8030

QLD

Brisbane:
141 Magnesium
Drive, Crestmead,
QLD 4132

P. +61 7 3803 7155

VIC

Pakenham:
20 Purton Road,
Pakenham,
VIC 3810

P. +61 3 5942 2900

Halgan Pty Ltd

ABN 69 064 448 157

Sales

sales@halgan.com.au

General Enquiries

info@halgan.com.au

www.halgan.com.au

CALL 1800 626 753